



# LED HAZARDOUS LOCATION REMOTE HEAD LAMP | CLASS 1 DIVISION 2 | 6/12VDC

Code: RH-C1D2



The RH-C1D2 Series is not only ideal for wet locations, its durable design is also resistant to corrosive atmospheres and harsh environments.



## FEATURES

- UL924, NFPA 101 Life Safety Code, NEC, OSHA, Local and State Codes
- IP66 rated for Ingress Protection
- Rated for Class 1, Division 2, Group A, B,C, & D
- UL Listed for Wet Locations
- Requires 6/12VDC Power Source
- MR16 Base Style LED Lamps

## WARRANTY INFORMATION

Any component that fails due to manufacturer's defect is guaranteed for 1 year. The warranty only covers products installed and maintained in accordance with the instructions provided by their respective manufacturer and no warranty is made with respect to any of our products that are otherwise installed or maintained. For full warranty details, visit our Warranty Section.

## Conformance to Codes and Standards

The RH-C1D2 is UL listed and meets or exceeds the following: UL 924, NEC, OSHA, NEC, NFPA 101 Life Safety Code requirements, IP66 rated for Ingress protection, and Rated for Class I, Division 2, Groups A, B, C & D.

## ORDERING INFORMATION

Series	Housing Color	Lamp Heads	Voltage	Hardware
RH-C1D2	GR (Gray)	SH (Single Head Lamp)	6/12V	SDH SDH (Standard Hardware)
		DH (Double Head Lamp)		TP (Tamper Proof Hardware)

## CONSTRUCTION

The RH-C1D2 LED remote head lamp series is constructed of fiberglass reinforced construction in gray finish. Corrosion-resistant enclosure with one piece, high impact resistant, UV stabilized polycarbonate lens and molded gasket with stainless steel screws. Tamper-proof hardware is available for unauthorized access to the unit.

## ILLUMINATION

The EL-C1D2 Emergency Light series is designed with two fully adjustable, ultra bright 3.3W high performance MR-16 base LED lamp heads for optimized center to center spacing.

## ELECTRICAL COMPONENTS

The RH-C1D2 LED remote head lamp series is powered from low voltage 6V/12V DC power source with low voltage wiring (not provided).

## BATTERY - BATTERY BACKUP

The RH-C1D2 LED remote head lamp series does not have a battery. This remote head requires to be connected to a battery + remote head capable unit.

## PHOTOMETRICS

**Single Lamp Head:** Mounting height of 7.5ft-10ft illuminates 1 footcandle (FC) **spaced at 20ft for a 3ft path of egress.**

**Double Lamp Head:** Mounting height of 7.5ft illuminates 1 footcandle (FC) **spaced at 45ft for a 3ft path of egress.**

**Double Lamp Head:** Mounting height of 10ft illuminates 1 footcandle (FC) **spaced at 38ft for a 3ft path of egress.**

### Disclosure:

Spacing is measured in lab condition with an assumed open space, no obstruction and reflection rates of 80 (ceiling) / 50 (walls) / 20 (floor). Actual spacing may vary depending on what environment the fixture is installed in.

## OPERATIONAL TEMPERATURE

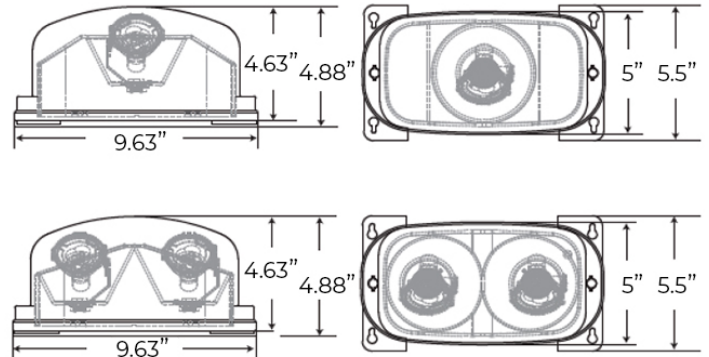
### Temperature Ratings

Series	Temperature
Standard	32°F to 122°F

## INSTALLATION

The RH-C1D2 remote head lamp series is suitable for surface wall mount installation with its die-cast mounting brackets. Distance of maximum run is determined by system voltage, wire gauge, and total maximum wattage on the run.

## DIMENSIONS



Weight : 15.00 lb

