



LED RECESSED MOUNT 8" EDGE LIT EXIT SIGN | ADJUSTABLE ANGLE

Code: NYCELRT-R-RM



The NYCELRT-R-RM series reinvents the meaning of versatility and allows one sign to meet multiple mounting needs. Snap-in design, quality construction and elegant appearance make it a must-have.



FEATURES

- New York City Approved
- UL 924, NEC, OSHA and NFPA 101 Life Safety Code
- Listed for damp location
- Recess Mount Application
- Aluminum housing with high grade acrylic face
- Field Installable Arrows for Left, Right or Both directions.
- Long life LED illumination
- Test switch and charge rate indicator on battery backup models
- Dual 120/277 volt operation
- NON CEC Compliant

WARRANTY INFORMATION

Any component that fails due to manufacturer's defect is guaranteed for 1 year. The warranty only covers products installed and maintained in accordance with the instructions provided by their respective manufacturer and no warranty is made with respect to any of our products that are otherwise installed or maintained. For full warranty details, visit our Warranty Section.

Conformance to Codes and Standards

The NYCELRT-R-RM series is UL listed and meets or exceeds the following: UL 924, NEC, OSHA, NFPA 70, and NFPA 101 Life Safety Code requirements.

ORDERING INFORMATION

Series	Letter Color	Housing Color	Operation Type	Options
NYCELRT-RM	R (Red)	A (Brushed Aluminum)	BB (Battery Backup)	S (Single Sided)
		B (Black)	AC (AC Only)	DS (Double Sided)
		W (White)		

CONSTRUCTION

The NYCELRT-R-RM series housing is constructed of die-cast aluminum housing with an etched, clear acrylic panel. Double sided panel comes as mirrored configuration. Lettering is NYC approved 8" high with 1" stroke.

ILLUMINATION

The NYCELRT-R-RM series provides a long life LED illumination. The unit is constructed with a red high output LED board. Energy consumption is rated at less than 3 watts for the AC only model units. Battery Backup units energy consumption is rated at less than 4 watts.

ELECTRICAL COMPONENTS

Dual voltage input 120/277 VAC operation. LED display indicates AC/ON. An external push button test switch allows maintenance personnel to quickly determine the operational status of the unit. Unit offers brown out, overload and short circuit protection.

EMERGENCY OPERATION

Upon failure of the normal utility power, an internal solidstate transfer switch automatically provides uninterrupted emergency operation for at least 90 minutes. The fully automatic solid-state, two-rate charger initiates battery charging to recharge a discharged battery in 24 hours.

BATTERY - BATTERY BACKUP

The NYCELRT-R-RM series is designed with a 4.8V 300mAh maintenance-free NiCad battery. The battery is protected by a low voltage cut-off circuit.

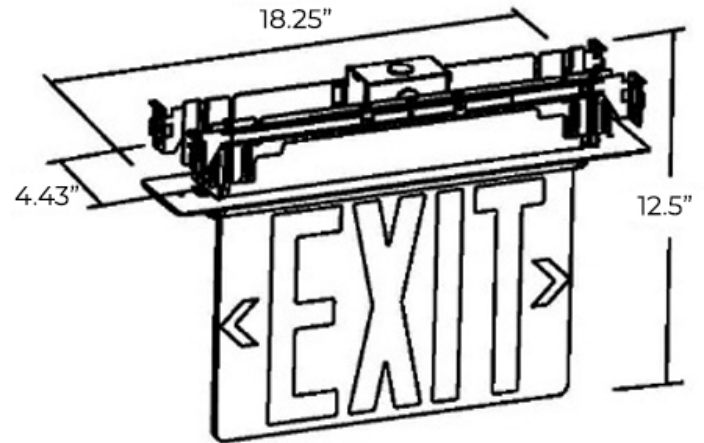
OPERATIONAL TEMPERATURE

The operating temperature range for the battery is 50°F to 104°F

INSTALLATION

The NYCELRT-R-RM allows unit to be ceiling recessed for drop ceiling, new construction, and wall application only. Includes field installable directional arrow indicators. All hardware is included.

DIMENSIONS



Weight : 10.00 lb

3170 Scott St, Vista, CA 92081
Phone: 877-352-3948 | Fax: 877-352-3949
info@exitlightco.com