



8" NYC EDGE LIT RECESSED MOUNT LED EXIT SIGN

Code: NYCELR-R



The NYCELR-R edge lit series offers an Attractive and functional design with a self-contained, recessed mount application.



FEATURES

- UL 924, NEC, OSHA and NFPA 101 Life Safety Code
- New York City Approved
- Title 20 CEC Compliant
- 3 watts (AC only units) and 5 watts (battery backup units) operation
- Universal arrow mounts
- AC On indicator light and push-to-test switch (battery backup models)
- 120/277V operation

WARRANTY INFORMATION

Any component that fails due to manufacturer's defect is guaranteed for 1 year. The warranty only covers products installed and maintained in accordance with the instructions provided by their respective manufacturer and no warranty is made with respect to any of our products that are otherwise installed or maintained. For full warranty details, visit our Warranty Section.

Conformance to Codes and Standards

The NYCELR-R Exit Sign series is UL listed and meets or exceeds the following: UL 924, NEC, OSHA, NFPA 101 Life Safety Code, Title 20 CEC Compliant, and NYC requirements.

ORDERING INFORMATION

Series	Letter Color	Housing Color	Operation Type	Sides	Options
NYCELR-R	R (Red)	A (Aluminum)	BB (Battery Backup)	SC (Single Side)	SV (Special Voltage)
		W (White)	AC (AC Only)	DM (Double Sided Mirrored)	
		B (Black)	ST (Battery Back+Self-Testing)		

CONSTRUCTION

The NYCELR-R Edge Lit Exit Sign is constructed from premium-grade, extruded aluminum housing. The trim assembly is easily detachable from below, providing accessibility for service or maintenance. Standard housing finish is aluminum. Also available with white or black housing finish.

ELECTRICAL COMPONENTS

Dual voltage input 120/277 VAC operation. Special voltage 208/220/240V 50/60Hz also available. LED display indicates AC/ON. An external push button test switch on battery backup units allows maintenance personnel to quickly determine the operational status of the unit. Unit offers surge protected, solid state circuitry.

EMERGENCY OPERATION

Upon failure of the normal utility power, an internal solidstate transfer switch automatically provides uninterrupted emergency operation for at least 90 minutes. The fully automatic solid-state, two-rate charger initiates battery charging to recharge a discharged battery in 24 hours.

BATTERY - BATTERY BACKUP

The NYCELR-R Edge Lit Exit Sign is designed with a 4.8V NiCad maintenance-free battery that provides a minimum emergency duration of 90 minutes. Recharge time of the battery is 24 hours.

SELF-TESTING OPTION

Unit continuously monitors the AC power, battery supply voltage, emergency lamp condition and charging circuit. If failure is detected, the indicator will show status and correct when adjusted. Unit will automatically perform NFPA required monthly and annual testing. Refer to user manual for details.

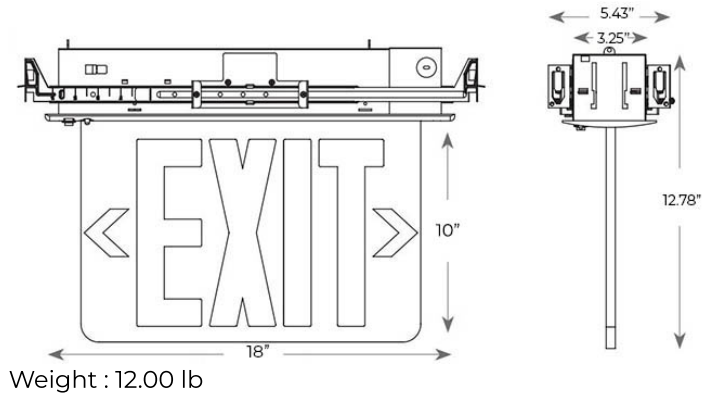
OPERATIONAL TEMPERATURE

Temperature Ratings	
Standard Option	0°C to 50°C / 32°F to 122°F

INSTALLATION

The NYCELR-R Edge Lit Exit Sign is compatible with drywall or drop ceiling mount installation. Bar hangers included (Adjustable). Includes field installable directional arrow indicators. All hardware is included.

DIMENSIONS



ELECTRICAL INFORMATION

Series	Input Watts (A)		Input Amps (A)	
	120V	277V	120V	277V
NYCELSM	3.8	4.5	0.030	0.020

3170 Scott St, Vista, CA 92081
Phone: 877-352-3948 | Fax: 877-352-3949
info@exitlightco.com