



NYC Approved, durable material and energy saving LED Cast Aluminum Exit Sign



Compatible Battery: BAA-48R

ORDERING INFORMATION

Series	Face/Housing Color	Operation Type	Sides
NYCCA-R	BA (Aluminum Face/Black Housing)	AC (AC Only)	S (Single)
	W (White Face/White Housing)	BB (Battery Backup)	D (Double)
	AA (Aluminum Face/Aluminum Housing)		
	B (Black Aluminum Face/ Black Aluminum Housing)		

FEATURES

- UL 924, NEC, OSHA and NFPA 101 Life Safety Code
- New York City Approved
- 8" Letters
- Damp Location Rated
- Universal 120/277 VAC operation
- Universal canopy included
- Spec grade cast aluminum
- Universal knock-out chevrons
- Push-to-test switch

WARRANTY INFORMATION

Any component that fails due to manufacturer's defect is guaranteed for 1 year. The warranty only covers products installed and maintained in accordance with the instructions provided by their respective manufacturer and no warranty is made with respect to any of our products that are otherwise installed or maintained. For full warranty details, visit our Warranty Section.

Conformance to Codes and Standards

The NYCCA series is UL listed and meets or exceeds the following: UL 924, NEC, OSHA and NFPA 101 Life Safety Code requirements.

CONSTRUCTION

The NYCCA-R series is constructed from premium-grade, aluminum housing. Field selectable knockout chevron (Arrows) directional indicators. Aluminum face with black housing is standard. 8" EXIT verbiage for NYC Code.

ILLUMINATION

The NYCCA-R Exit Sign series illumination is achieved by use long-lasting, efficient ultra bright red LEDs. Color-matched diffuser eliminates hot spots and striations, providing optimal light output.

ELECTRICAL COMPONENTS

Dual voltage input 120/277 VAC operation. LED display indicates AC/ON. An external push button test switch with battery backup units allows maintenance personnel to quickly determine the operational status of the unit. Unit offers surge protected, solid-state circuitry.

EMERGENCY OPERATION

Upon failure of the normal utility power, an internal solid-state transfer switch automatically provides uninterrupted emergency operation for at least 90 minutes. The fully automatic solid-state, two-rate charger initiates battery charging to recharge a discharged battery in 24 hours.

BATTERY - BATTERY BACKUP

The NYCCA-R series is designed with a maintenance-free 4.8V NiCad battery that provides a minimum emergency duration of 90 minutes. Recharge time of the battery is 24 hours.

OPERATIONAL TEMPERATURE

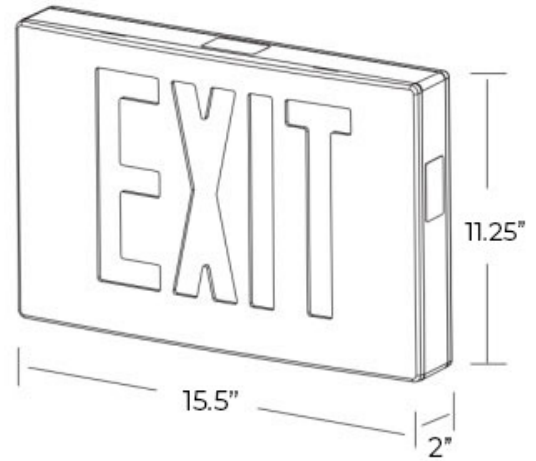
Temperature Ratings

Standard Option	0°C to 50°C / 32°F to 122°F
-----------------	-----------------------------

INSTALLATION

The NYCCA-R is suitable for surface wall, side and top mounting via included canopy. Snap together design allows for quick and easy installation. Knock-out chevrons for customized egress signage.

DIMENSIONS



Weight : 6.00 lb

3170 Scott St, Vista, CA 92081
Phone: 877-352-3948 | Fax: 877-352-3949
info@exitlightco.com