



NEW YORK CITY APPROVED WET LOCATION EXTERIOR EXIT SIGN | RED LED | NEMA 4X RATED

Code: NYC-WLT



The NYC-WLT series has arrived at ELC. This series exit sign is engineered to withstand the extreme weather conditions of New York. The NYC-WLT exit sign meets or exceeds NEMA 4X and meets the building codes of NYC. Suitable for all types of installation types: parking garages, breezeways and other environments where additional protections is needed. No more worrying about dead batteries, internals, etc. due to the extreme weather, this series exit sign is designed with a full gasketed enclosure.



FEATURES

- UL 924, NEC, NYC, NEMA 4X and NFPA 101 Life Safety Code
- Listed for wet location
- Ultra bright LEDs
- Suitable for top, side, and wall mount installations
- Push-to-test switch
- 120/277 VAC operation @ 60Hz
- Extremely low operating costs
- Removable directional indicators
- UV stabilized polycarbonate enclosure
- Maintenance free NiCad battery

WARRANTY INFORMATION

Any component that fails due to manufacturer's defect is guaranteed for 1 year. The warranty only covers products installed and maintained in accordance with the instructions provided by their respective manufacturer and no warranty is made with respect to any of our products that are otherwise installed or maintained. For full warranty details, visit our Warranty Section.

Conformance to Codes and Standards

The NYC-WLT-R series is UL listed and meets or exceeds the following: UL 924, NEC, NYC, NEMA 4X, OSHA, and NFPA 101 Life Safety Code requirements.

ORDERING INFORMATION

Series	Letter Color	Housing Color	Operation Type	Options
NYC-WLT	R (Red)	W (White)	BB (Battery Backup)	1PKM (1' Pendant Mount Kit)
			AC (AC Only)	2PKM (2' Pendant Mount Kit)

CONSTRUCTION

The NYC-WLT exit sign enclosure is made of UV-stable, reinforced .23" thick polycarbonate and is fully gasketed to provide a degree of protection for internal components. The housing also provides protection against corrosion and the formation of ice.

ILLUMINATION

Illumination of the NYC-WLT Series is accomplished by utilizing highintensity, long-life LEDs exceeding UL 924 requirements for brightness and uniformity. LEDs provide excellent illumination while maximizing energy efficiency. LEDs are a maintenance-free solution, providing up to 100,000 hours of use without failure.

ELECTRICAL COMPONENTS

Dual voltage input 120/277 VAC operation at 60Hz. LED display indicates AC/ON. An external push button test switch allows maintenance personnel to quickly determine the operational status of the unit.

EMERGENCY OPERATION

Upon failure of the normal utility power, an internal solidstate transfer switch automatically provides uninterrupted emergency operation for at least 90 minutes. The fully automatic solid-state, two-rate charger initiates battery charging to recharge a discharged battery in 24 hours.

BATTERY - BATTERY BACKUP

The NYC-WLT series is designed with a maintenance-free NiCad battery that provides a minimum emergency duration of 90 minutes. Recharge time of the battery is 24 hours. The battery is protected by a low voltage cut-off circuit.

OPERATIONAL TEMPERATURE

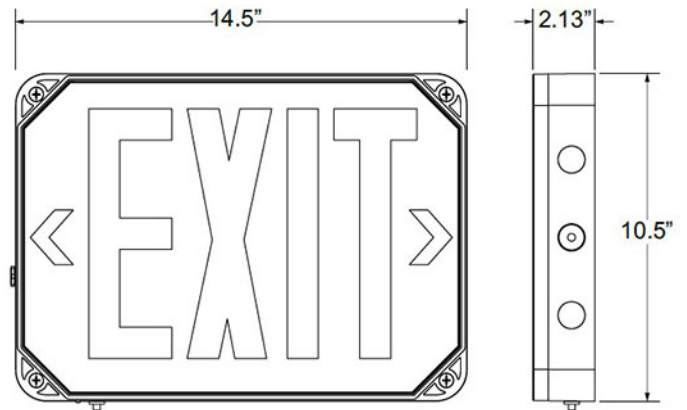
Temperature Ratings

Series	Temperature
Standard Option	32 °F to 104 °F

INSTALLATION

The NYC-WLT series exit sign is designed with a universal mounting pattern for 3" and 4" J-box (gasket included) and rear keyhole slots are provided for wall mounting. Conduit entry available at multiple locations from top or sides; pendant mounting available.

DIMENSIONS



Weight : 10.00 lb

3170 Scott St, Vista, CA 92081
Phone: 877-352-3948 | Fax: 877-352-3949
info@exitlightco.com