



The ELSM-R offers an attractive and functional design while still completely self-contained.



FEATURES

- UL 924, NEC, OSHA, and NFPA 101 Life Safety Code
- UL Listed for USA
- Listed for damp locations
- Engineering grade aluminum extruded housing
- 5 watts energy usage (battery backup models)
- Field installable directional indicators
- AC On indicator light and push-to-test switch (battery backup models)
- 120/277V operation
- **Please allow 3-5 days for black or white finishes - Call for rush orders**

WARRANTY INFORMATION

Any component that fails due to manufacturer's defect is guaranteed for 1 year. The warranty only covers products installed and maintained in accordance with the instructions provided by their respective manufacturer and no warranty is made with respect to any of our products that are otherwise installed or maintained. For full warranty details, visit our Warranty Section.

Conformance to Codes and Standards

The ELSM-R Exit Sign series is UL listed and meets or exceeds the following: UL 924, NEC, OSHA, and NFPA 101 Life Safety Code requirements

ORDERING INFORMATION

Series	Letter Color	Housing Color	Operation Type	Sides	Options
ELSM	R (Red)	A (Aluminum)	BB (Battery Backup)	SC (Single Side Clear)	USA (Assembled in USA)
		W (White)	AC (AC Only)	DW (Double Sided White)	
		B (Black)	ST (Self-Testing)	DM (Double Sided Mirrored)	
			DC120V (Dual Circuit for 120V Systems)	SM (Single Sided Mirrored)	
			DC277V (Dual Circuit for 277V Systems)	SW (Single Sided White)	

CONSTRUCTION

The ELSM-R Edge Lit Exit Sign series signage panels are constructed of high polish injection molded virgin acrylic. Mylar divider standard on double sided units. Standard housing finish is aluminum. Also available with white or black housing finish.

ELECTRICAL COMPONENTS

Dual voltage input 120/277 VAC operation. 220V/50Hz Special voltage available. LED display indicates AC/ON. An external push button test switch on battery backup units allows maintenance personnel to quickly determine the operational status of the unit. Unit offers surge protected, solid state circuitry.

EMERGENCY OPERATION

Upon failure of the normal utility power, an internal solidstate transfer switch automatically provides uninterrupted emergency operation for at least 90 minutes. The fully automatic solid-state, two-rate charger initiates battery charging to recharge a discharged battery in 24 hours.

BATTERY - BATTERY BACKUP

The ELSM-R Exit Sign is designed with a maintenance-free battery that provides a minimum emergency duration of 90 minutes. Recharge time of the battery is 24 hours. Operational temperature range is 32°F (0°C) to 122F (50°C).

SELF-TESTING OPTION

This unit continuously monitors the AC power, battery supply voltage, emergency lamp condition and charging circuit. If failure is detected, the multi-color LED indicator light will indicate the status and adjust when it has been corrected. Unit will automatically perform NFPA required monthly and annual testing. Refer to user manual for details.

OPERATIONAL TEMPERATURE

Temperature Ratings

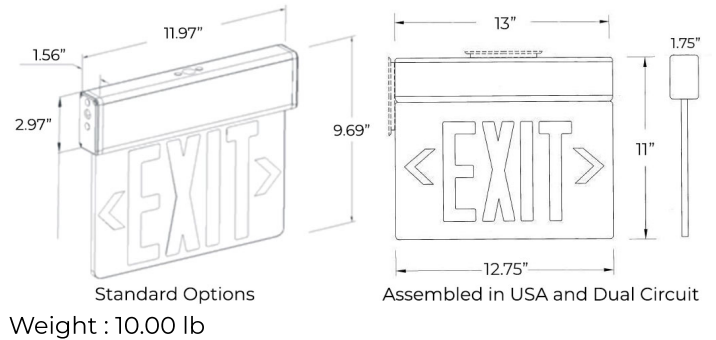
Standard Option

32°F to 122°F

INSTALLATION

The ELSM-R LED Exit Sign series is suitable for wall, sloped, high, or standard ceiling mounting. Unit include field installable directional arrow indicators. All hardware is included.

DIMENSIONS



3170 Scott St, Vista, CA 92081
Phone: 877-352-3948 | Fax: 877-352-3949
info@exitlightco.com