

CUSTOM EDGE LIT EXIT SIGN

Code: ELSM-CU



FEATURES

- Surface ceiling or wall mount
- Aluminum extrusion design
- Long life, energy saving LED lamps
- Constant uniform illumination
- 120/277V 60Hz input .051/.022 amps
- Short circuit protection/ voltage surge protection
- 90 Day Lead Time

WARRANTY INFORMATION

Any component that fails due to manufacturer's defect is guaranteed for 1 year. The warranty only covers products installed and maintained in accordance with the instructions provided by their respective manufacturer and no warranty is made with respect to any of our products that are otherwise installed or maintained. For full warranty details, visit our Warranty Section.

The ELSM-CU custom edge lit series offers an attractive and functional design while still completely self-contained.



Compatible Battery: BAA-48

ORDERING INFORMATION

Series	Letter Color	Housing Color	Operation Type	Options
EL-CU	R (Red)	A (Brushed Aluminum)	BB (Battery Backup)	S (Single Sided)
	G (Green)	W (White)	AC (AC Only)	DM (Double Sided)
		B (Black)		

CONSTRUCTION

The ELSM-CU series signage panels are constructed of highpolish injection molded virgin acrylic. Mylar divider standard on double sided units. Standard housing finish is aluminum. Also available with white or black housing finish.

ELECTRICAL COMPONENTS

Dual voltage input 120/277 VAC operation. LED display indicates AC/ON. An external push button test switch on battery backup units allows maintenance personnel to quickly determine the operational status of the unit. Unit offers surge protected, solid state circuitry.

EMERGENCY OPERATION

Upon failure of the normal utility power, an internal solidstate transfer switch automatically provides uninterrupted emergency operation for at least 90 minutes. The fully automatic solid-state, two-rate charger initiates battery charging to recharge a discharged battery in 24 hours.

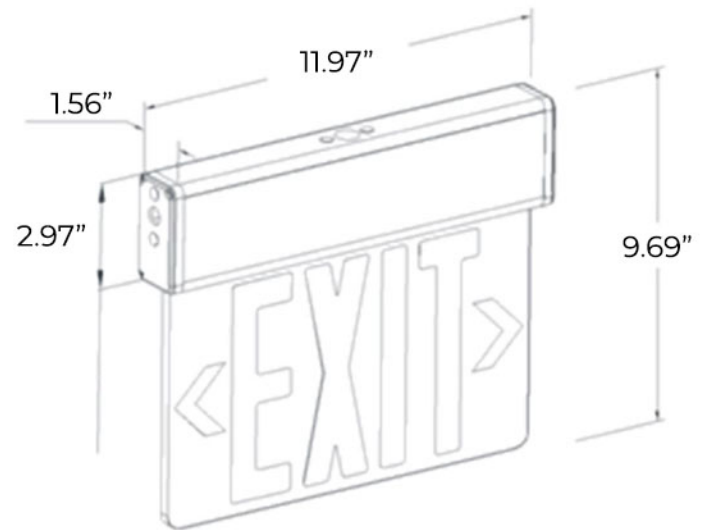
BATTERY - BATTERY BACKUP

The ELSM-CU series is designed with a maintenance-free battery that provides a minimum emergency duration of 90 minutes. Recharge time of the battery is 24 hours. Operational temperature range is 32°F (0°C) to 122F (50°C).

INSTALLATION

This unit continuously monitors the AC power, battery supply voltage, emergency lamp condition and charging circuit. If failure is detected, the multi-color LED indicator light will indicate the status and adjust when it has been corrected. The self-test feature will automatically perform code compliant testing for five minutes every 28 days and 90 minutes every six months.

DIMENSIONS



Weight : 10.00 lb

3170 Scott St, Vista, CA 92081
Phone: 877-352-3948 | Fax: 877-352-3949
info@exitlightco.com