



LARGE LED TRAVERSE LIGHT FIXTURE | WALL MOUNT | AREA LIGHT | FLOOD LIGHT | 2 WEEK LEAD TIME

Code: ELF-CON



The ELF-CON is a small LED cutoff wall pack light fixture with optional items. Great for outdoor applications such as commercial buildings.



FEATURES

- Wall Pack LED Fixture
- CSA Listed for Damp or Wet Location
- Die cast aluminum housing
- UV stabilized polycarbonate lens
- LED Board
- Maintenance-free battery ballast for emergency operation units
- Charge rate / power on indicator and test button with emergency ballast option
- **This product is custom made-to-order with a 2 week lead-time. As such it is final sale and no returns are allowed.**

WARRANTY INFORMATION

Any component that fails due to manufacturer's defect is guaranteed for 1 year. The warranty only covers products installed and maintained in accordance with the instructions provided by their respective manufacturer and no warranty is made with respect to any of our products that are otherwise installed or maintained. For full warranty details, visit our Warranty Section.

Conformance to Codes and Standards

ELF-CON series is CSA listed and meets or exceeds the following: Listed for Wet Locations, ANSI/UL 1598, 8750; IP65 Sealed LED Compartment.

ORDERING INFORMATION

Series	Housing Color	Wattage	Voltage	Photocell	Color Temperature	Optinal Items
ELF-CON	BZ (Bronze)	15W	120-277V	None	4000K	Cold Start Battery
		22W		Pencil Photocell	5000K	

CONSTRUCTION

Designed with a die-cast hinged and gasketed aluminum front frame and housing with 1/2" coin plugs. All hardware is nickel-plated stainless steel. The housing is photocell adaptable.

ILLUMINATION

The ELF-CON is designed with an aluminum board LED technology providing 1,300-2,400 lumen. Features a tempered clear flat glass lens.

ELECTRICAL COMPONENTS

The ELF-CON is designed to work with 120-277V 50/60Hz systems. Optional 15W or 22W system.

EMERGENCY OPERATION

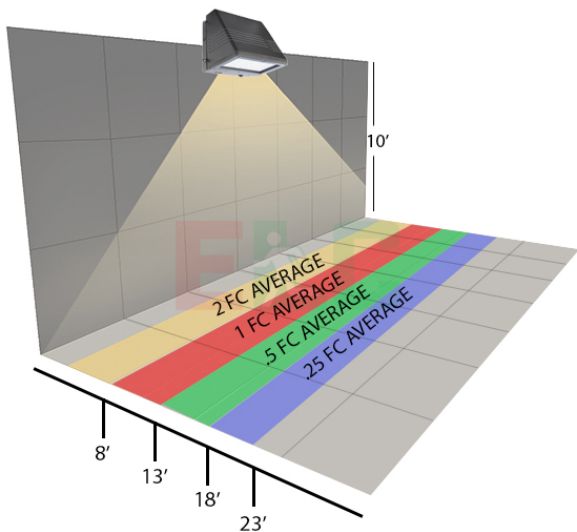
In the event of a power failure, the emergency battery ballast option will keep the fixture illuminated for industry standard 90 minutes. Emergency ballast must be selected upon ordering.

BATTERY - BATTERY BACKUP

The ELF-CON has the option for a 90-minute battery backup ballast to be installed. In case of a power outage, the wall pack will illuminate for a minimum of 90 minutes. This option is currently only available with the 120-277V operation type.

PHOTOMETRICS

Mounting heights of 8 to 15 feet can be used based on light level and uniformity requirements.



OPERATIONAL TEMPERATURE

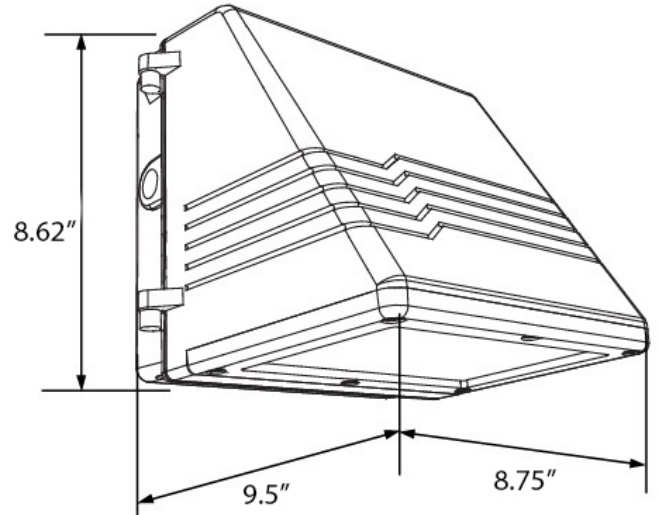
Temperature Ratings

Standard Option	-40°F to 122°F
Cold Start Battery	-4°F to 122°F

INSTALLATION

The ELF-CON is designed with a cast-in template that can be directly mounted over a 4" recessed outlet box or 1/2" surface conduit.

DIMENSIONS



Weight : 20.00 lb