



STEEL HOUSING LED EMERGENCY LIGHT - 3 HEADS LAMPS - UL & NYC APPROVED

Code: EL-STLED



Steel Housing Emergency Light approved for New York City. Heavy duty Construction. An efficient and secure LED Heavy Duty Emergency Light.



FEATURES

- UL 924, NEC, OSHA and NFPA 101 Life Safety Code
- Approved for New York City Code requirements
- Rugged 20 gauge steel housing and ABS thermoplastic lamp heads
- Universal 120/277 VAC input
- Adjustable LED lamp heads
- Brown-out protection
- Automatic low voltage disconnect (LVD)
- Push-to-test switch
- Charge rate / power-on indicator light

WARRANTY INFORMATION

Any component that fails due to manufacturer's defect is guaranteed for 1 year. The warranty only covers products installed and maintained in accordance with the instructions provided by their respective manufacturer and no warranty is made with respect to any of our products that are otherwise installed or maintained. For full warranty details, visit our Warranty Section.

Conformance to Codes and Standards

The EL-STLED series is UL listed and meets or exceeds the following: UL 924, NEC, OSHA and NFPA 101 Life Safety Code requirements.

ORDERING INFORMATION

Series	Housing Color	Operation Type
EL-STLED	W (White)	BB (Battery Backup)
	B (Black)	ST (Self-Testing)

CONSTRUCTION

The EL-STLED Steel Emergency Light is constructed from powder-coated 20-gauge steel with injection-molded thermoplastic heads. White housing is standard and black housing is available.

ILLUMINATION

The EL-STLED New York City Approved Emergency Light is designed with adjustable LED lamps. High-performance smooth metal reflector and glass lens for optimal light distribution.

ELECTRICAL COMPONENTS

Universal voltage input 120-277 VAC operation. LED display indicates AC/ON. An external push button test switch allows maintenance personnel to quickly determine the operational status of the unit. Unit offers surge protected, solid state circuitry.

EMERGENCY OPERATION

Upon failure of the normal utility power, an internal solidstate transfer switch automatically provides uninterrupted emergency operation for at least 90 minutes. The fully automatic solid-state, two-rate charger initiates battery charging to recharge a discharged battery in 24 hours.

BATTERY - BATTERY BACKUP

The EL-STLED series is designed with a maintenance-free NiCad battery that provides a minimum emergency duration of 90 minutes. Recharge time of the battery is 24 hours. Battery Replacement - 3.6V 1600mAh.

PHOTOMETRICS

Suggested mounting height of 7.5ft illuminates 1 footcandle (FC) **spaced at 35ft for a 3ft path of egress.**

Mounting height of 10ft illuminates 1 footcandle (FC) **spaced at 30ft for a 3ft path of egress.**

Disclosure:

Spacing is measured in lab condition with an assumed open space, no obstruction and reflection rates of 80 (ceiling) / 50 (walls) / 20 (floor). Actual spacing may vary depending on what environment the fixture is installed in.

SELF-TESTING OPTION

Continuously monitors the AC power, battery supply voltage, emergency lamp and charging circuit. The multi-color LED indicator light will indicate failure and adjust when it has been corrected. Unit will automatically perform NFPA required monthly and annual testing. Refer to user manual for details.

OPERATIONAL TEMPERATURE

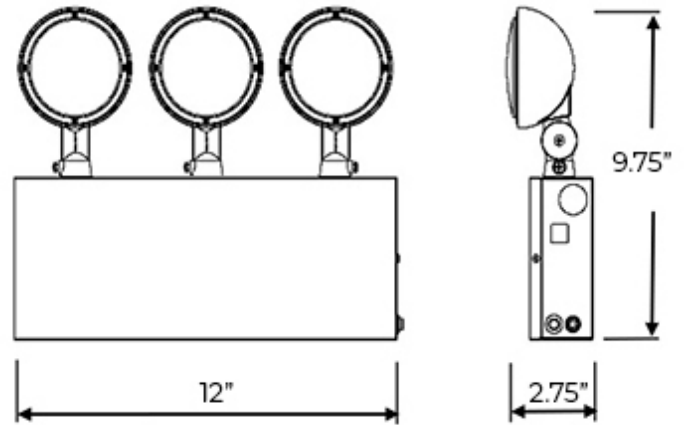
Temperature Ratings

Standard Option	50°F to 104°F
-----------------	---------------

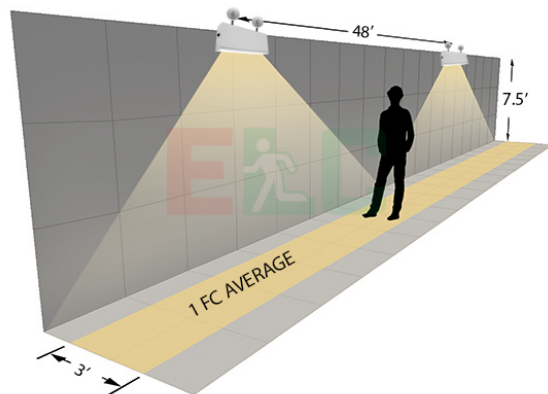
INSTALLATION

The EL-STLED is suitable for wall installation. Knockouts are located on the back of the unit for easy mounting configurations.

DIMENSIONS



Weight : 10.00 lb



3170 Scott St, Vista, CA 92081

Phone: 877-352-3948 | Fax: 877-352-3949

info@exitlightco.com