



EXTREME HIGH OUTPUT LED EMERGENCY LIGHT | ADJUSTABLE LAMPS| 1100 LUMEN

Code: EL-EXHO



FEATURES

- UL 924, NEC, OSHA and NFPA 101 Life Safety Code
- Certified to CEC under title 20 regulations
- Damp location listed
- Lumen: 1100lm
- 120-277 VAC operation
- Two fully adjustable, glare-free LED lighting heads
- Push-to-test switch and status indicator
- Injection-molded, high impact, UV-stabilized, UL 94 VO thermoplastic housing
- Lightweight with snap-together construction for easy installation

WARRANTY INFORMATION

Any component that fails due to manufacturer's defect is guaranteed for 1 year. The warranty only covers products installed and maintained in accordance with the instructions provided by their respective manufacturer and no warranty is made with respect to any of our products that are otherwise installed or maintained. For full warranty details, visit our Warranty Section.



Compatible Battery: 9.6V 3000mAh

Conformance to Codes and Standards

The EL-EXHO series is UL listed and meets or exceeds the following: UL 924, NEC, OSHA and NFPA 101 Life Safety Code requirements.

ORDERING INFORMATION

Series	Housing Color	Operation Type
EL-EXHO	W (White)	BB (Battery Backup)

CONSTRUCTION

The EL-EXHO series is constructed from injection molded, impact- and scratch-resistant and corrosion-proof, 5V flame retardant thermoplastic housing. White housing is standard.

ILLUMINATION

The EL-EXHO emergency light features two 12 piece super bright LEDs providing 1100 lumen. Lamp heads are on track-and-swivel guides. Glare-free lenses provide clear light source to ensure performance in emergency situations.

ELECTRICAL COMPONENTS

Universal voltage input 120-277 VAC operation. LED display indicates AC/ON. An external push button test switch allows maintenance personnel to quickly determine the operational status of the unit. Unit offers surge protected, solid state circuitry.

EMERGENCY OPERATION

Upon failure of the normal utility power, an internal solidstate transfer switch automatically provides uninterrupted emergency operation for at least 90 minutes. The fully automatic solid-state, two-rate charger initiates battery charging to recharge a discharged battery in 24 hours.

BATTERY - BATTERY BACKUP

The EL-EXHO Emergency Light series is designed with a maintenance-free 9.6V 3000mAh rechargeable lithium iron phosphate battery that provides a minimum emergency duration of 90 minutes. Recharge time of the battery is 24 hours.

PHOTOMETRICS

Standard mounting height of 7.5ft illuminates 1 footcandle (FC) **spaced at 100ft for a 3ft path of egress.**

Standard mounting height of 10ft illuminates 1 footcandle (FC) **spaced at 88ft for a 6ft path of egress.**

OPERATIONAL TEMPERATURE

Temperature Ratings

Standard Option

32°F to 122°F

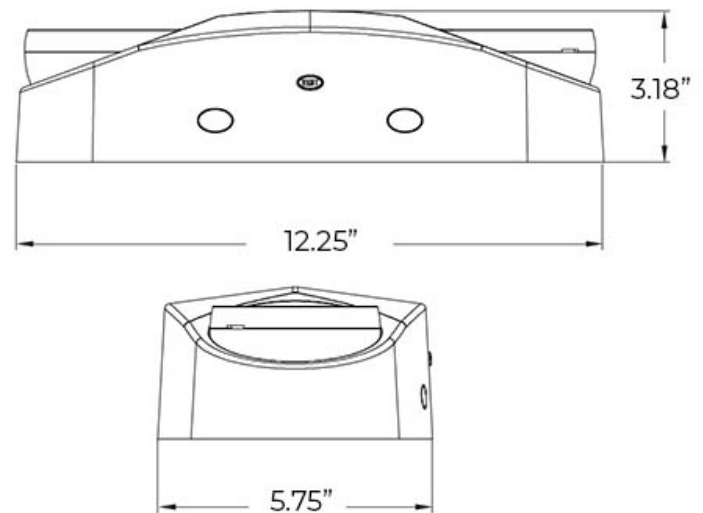
REMOTE HEAD CAPABLE OPTION

The remote head capability option allows the EL-EXHO unit has a remote capacity of 3.0 watts (standard). The remote heads would then operate on the same emergency mode as the standard units (see Emergency Operation Section).

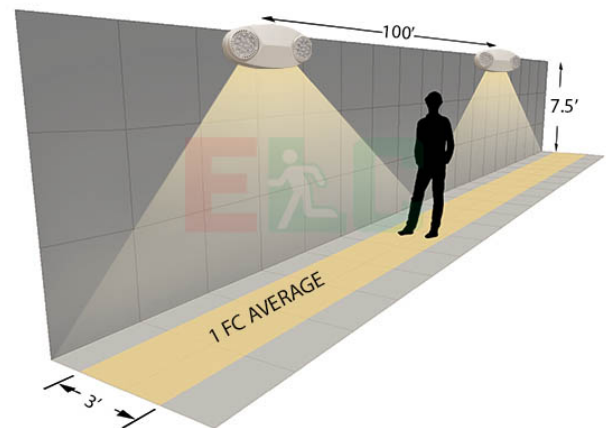
INSTALLATION

The EL-EXHO is suitable for wall or ceiling installation via included mounting plate. Snap together design allows for quick and easy installation.

DIMENSIONS



Weight : 3.00 lb



3170 Scott St, Vista, CA 92081

Phone: 877-352-3948 | Fax: 877-352-3949

info@exitlightco.com