



STEEL HOUSING LED EMERGENCY LIGHT | COMPACT DESIGN | NYC APPROVED | ROUND LAMPS

Code: EL-CST



Steel Housing LED Emergency Light - Approved for New York City. Heavy Duty Construction featuring 3 LED lamps.



FEATURES

- UL924, ETL, NFPA 101 Life Safety Code & NEC
- Approved for New York City Code requirements
- Rugged 20 gauge steel Housing
- Universal 120/277 VAC (60Hz) input
- Includes two round adjustable LED lamp heads
- Brown-out protection
- Automatic low voltage disconnect (LVD)
- Push-to-test switch
- Charge rate / power-on indicator light

WARRANTY INFORMATION

Any component that fails due to manufacturer's defect is guaranteed for 1 year. The warranty only covers products installed and maintained in accordance with the instructions provided by their respective manufacturer and no warranty is made with respect to any of our products that are otherwise installed or maintained. For full warranty details, visit our Warranty Section.

Conformance to Codes and Standards

The EL-CST series is UL listed and meets or exceeds the following: UL924, ETL, NEC, OSHA, NFPA 101 Life Safety Code requirements, and conforms with NYC Local Building Codes.

ORDERING INFORMATION

Series	Housing Color	Operation Type
EL-CST	W (White)	BB (Battery Backup)
		ST (Self-Testing)

CONSTRUCTION

The EL-CST Steel Emergency Light is constructed from 20-gauge steel with matte white powder coating for enclosure.

ILLUMINATION

The new EL-CST series emergency light features 3 adjustable LED lamp heads.

ELECTRICAL COMPONENTS

Dual 120-277V 50/60Hz input, with brownout protection. Charge rate/power "ON" LED indicator light and push-to-test switch for mandated code compliance testing.

EMERGENCY OPERATION

Upon failure of the normal utility power, an internal solid-state transfer switch automatically provides uninterrupted emergency operation for at least 90 minutes. The fully automatic solid-state, two-rate charger initiates recharging a discharged battery within 24 hours.

BATTERY - BATTERY BACKUP

The EL-CST Series emergency light has a maintenance-free 3.6V 1600mAh NiCad battery. Upon failure of the normal utility power, an internal solidstate transfer switch automatically provides uninterrupted emergency operation for at least 90 minutes. The fully automatic solid-state, two-rate charger initiates battery charging to recharge a discharged battery in 24 hours.

PHOTOMETRICS

Suggested mounting height of 7.5ft illuminates 2 footcandle (FC) **spaced at 27ft for a 3ft path of egress.**

Standard mounting height of 10ft illuminates 2 footcandle (FC) **spaced at 24ft for a 3ft path of egress.**

Disclosure:

Spacing is measured in lab condition with an assumed open space, no obstruction and reflection rates of 80 (ceiling) / 50 (walls) / 20 (floor). Actual spacing may vary depending on what environment the fixture is installed in.

SELF-TESTING OPTION

This unit continuously self checks for proper operation. The multi-color LED indicator light will indicate the status after testing and adjust when corrected. The unit will self test in emergency mode for up to the full 90 minute duration to ensure proper operation during an actual power failure.

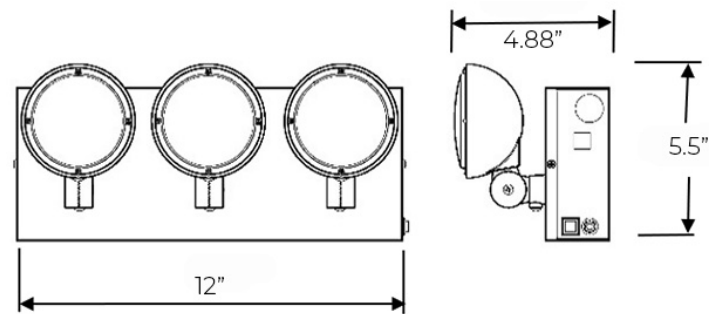
OPERATIONAL TEMPERATURE

Temperature Ratings	
Standard Option	50°F to 104°F

INSTALLATION

Easy installation with front access to all components. Suitable for wall installations. Universal J-box mounting pattern found on the back of the unit.

DIMENSIONS



Weight : 12.00 lb

